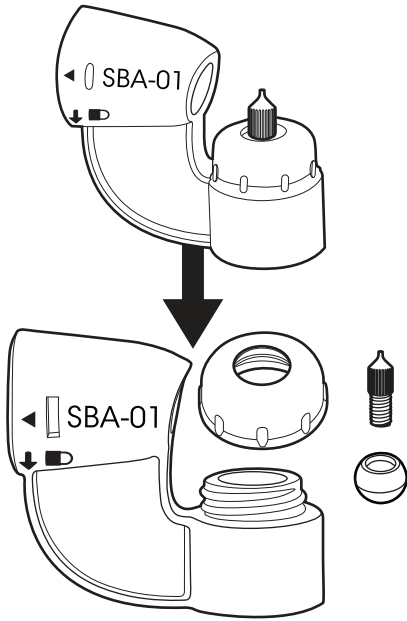
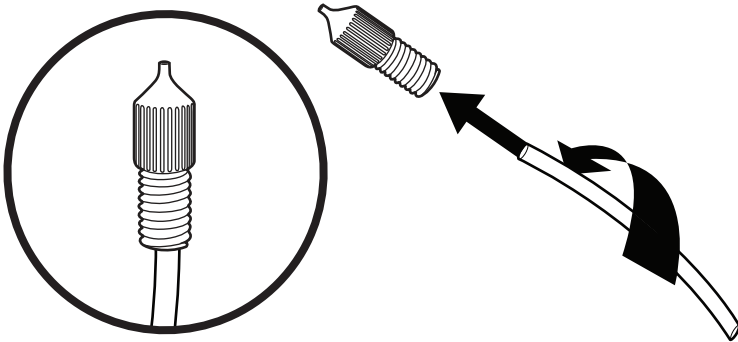


HOW TO PROPERLY ASSEMBLE YOUR SIPHON ADAPTOR (PART 1)

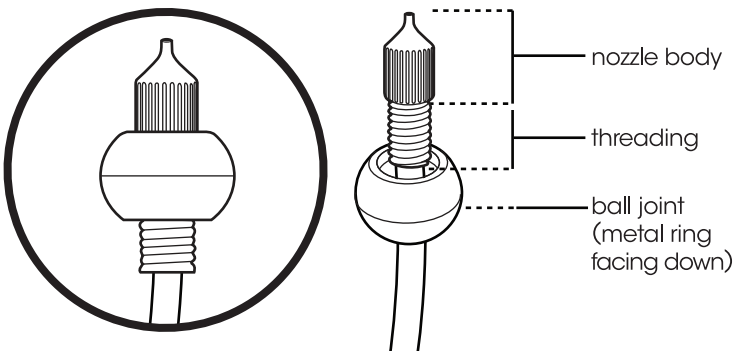
1 Disassemble your siphon adaptor.



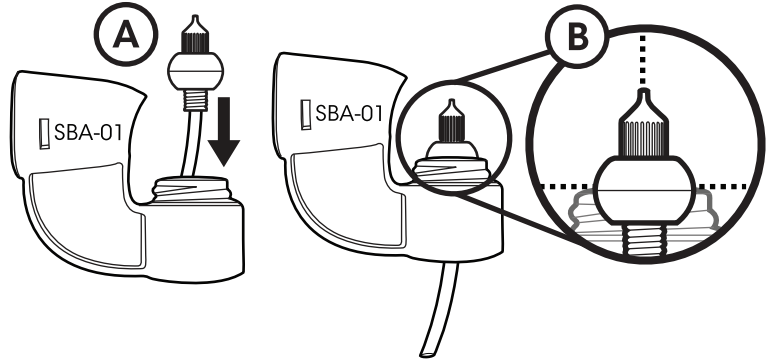
2 Choose the appropriate plastic tube as instructed in the user manual. Push the plastic tube as far as you can. **Push while twisting the plastic tube into the nozzle to help insert.**



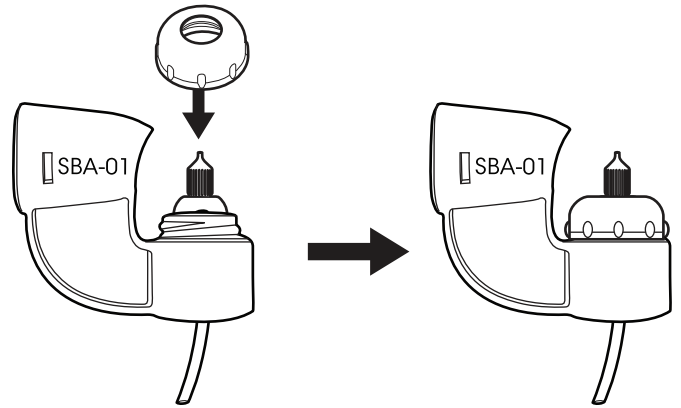
3 Screw the nozzle back into the ball joint (metal ring facing down) until the nozzle stops.



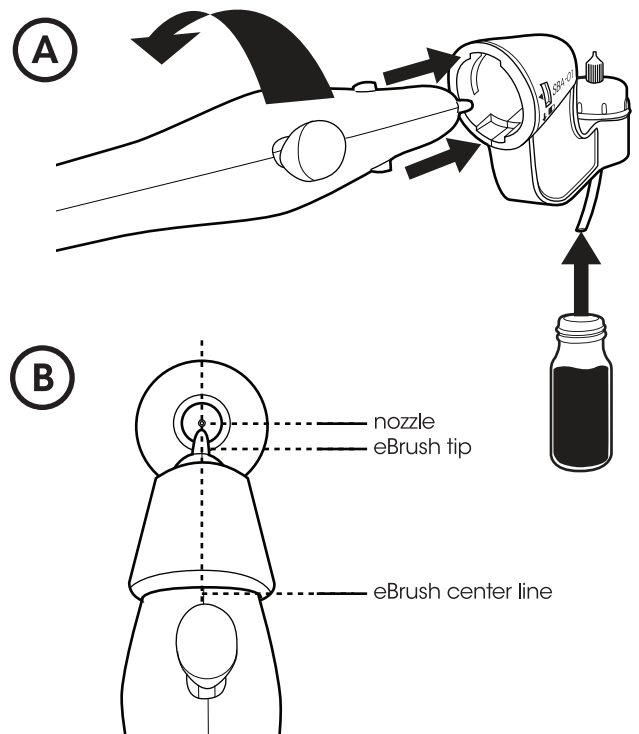
4 (A) Insert the ball joint back into the siphon adaptor. (B) **Make sure that the nozzle and ball joint are sitting straight up.**



5 Screw on the cap to lock the nozzle in place.



6 (A) Attach the adaptor onto the eBrush & add the appropriate bottle or siphon cup filled with liquid. (B) **Use the center line of the eBrush to confirm that the nozzle is aligned with the eBrush tip.**



TURN TO OTHER SIDE →

HOW TO PROPERLY ASSEMBLE YOUR SIPHON ADAPTOR (PART 2)

7

(A) Your siphon adaptor needs to be adjusted to spray. Turn on your eBrush compressor & while holding down the eBrush trigger, slowly turn the nozzle counterclockwise* until the siphon sprays. Please note that the nozzle can be higher than the eBrush tip in order to spray.

(B) Once your siphon is spraying, some adjustment may be required to achieve the best spray. While holding down the eBrush trigger, slowly turn the nozzle clockwise or counterclockwise to find the desired spray.

